

SOLAR TRIPOD
PORTABLE MOUNTING SYSTEM

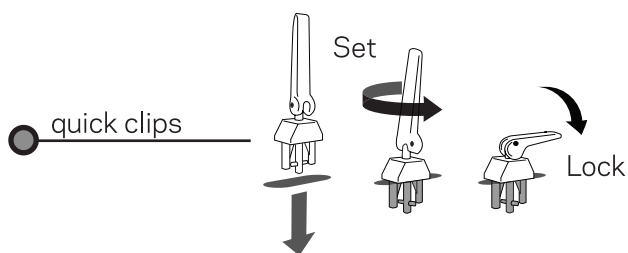
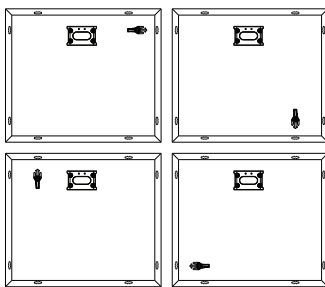
Instruction Manual



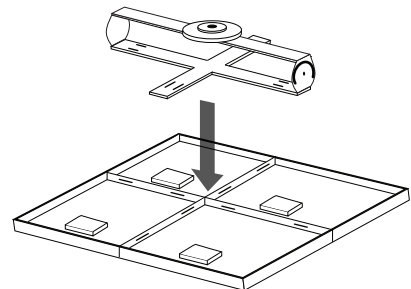
www.goalzero.com

1 Place panels face down in a 2x2 square aligning quick clip holes. Insert quick clips and lock panels together.

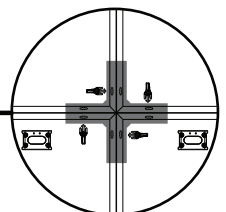
(For a 2 panel setup see helpful hints on next page)



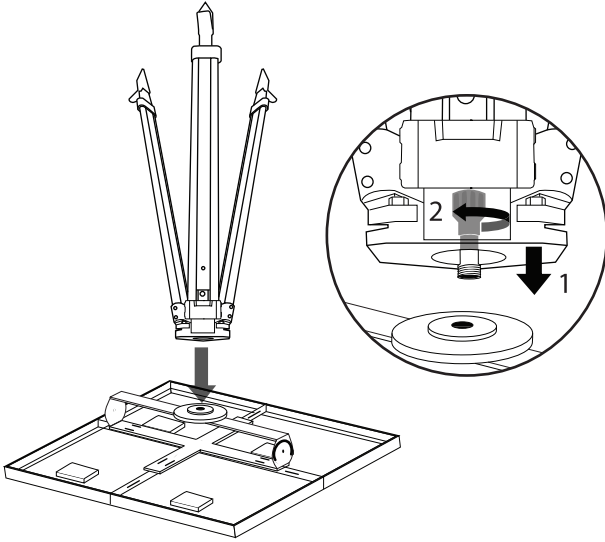
2 Place mounting bracket in center and align quick clip holes.



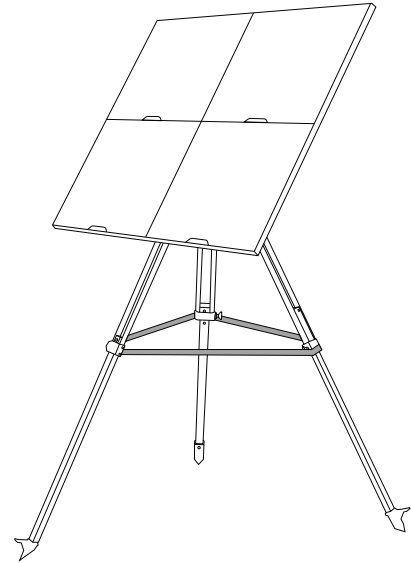
Make sure all 4 quick clips are aligned before locking.



- 3** Align top of tripod hole with base of bracket. Tightly screw tripod on the bracket base.

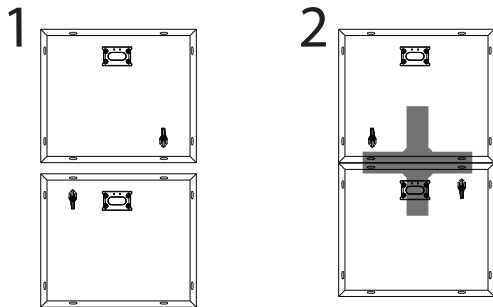


- 4** Place adjustment strap around legs. Lift full system while separating legs.



TWO PANEL SETUP

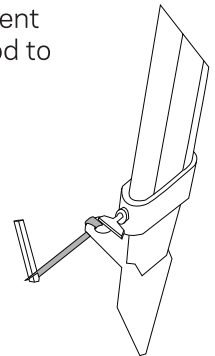
Insert quick clips and lock panels together. Place mounting bracket in center and align quick clip holes.



Follow steps 3 and 4 next.

HELPFUL TIP

For more secure placement use holes at feet of tripod to tie or stake down.



HELPFUL TIP

Change height of tripod using adjustment knobs at base of upper legs.

