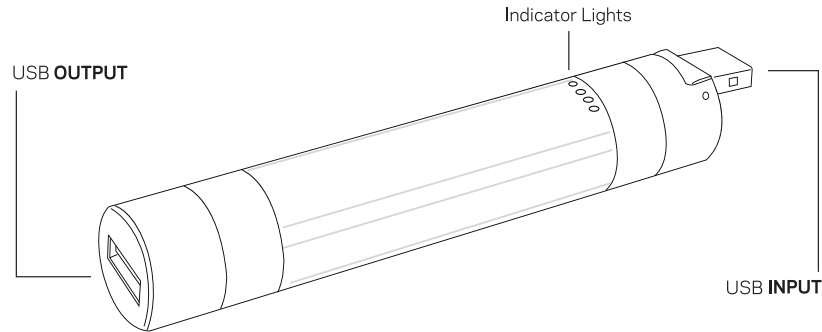


Technical Specifications	
Charging With: Approximate Charge Times	
USB Source	4 hours
Nomad 7 USB	4-8 hours
Nomad 3.5 USB	5-10 hours
Inputs	
USB port	5V, up to 0.8A (4W max)
Outputs	
USB port	5V, up to 1A (5W max), regulated
Internal	
Battery type	Li-NMC
Battery capacity	8Wh (3.7V, 2200mAh)
Life-span	hundreds of cycles

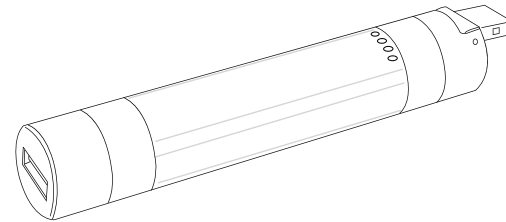
General	
Shelf Life	Keep plugged in, or charge every 3-6 months
Weight	3.2 oz (91 g)
Dimensions	1 x 1 x 5 in (2.5 x 2.5 x 12.7 cm)
Warranty	6 months
Tested and Certified	FCC, CE
Operating usage temperature	32-104F (0-40C)



SWITCH₈

PORTABLE RECHARGER

User Guide



Know Your Gear

Contact Us:
 Toll Free: 888-794-6250
 675 West 14600 South
 Bluffdale, UT 84065
www.GOALZERO.com

We proudly support Tifie Humanitarian
www.tifie.org

Frequently Asked Questions

Q: How do I turn it on?

A: There is no on/off switch. The Switch automatically turns on when a port is used.

Q: How do I know if I have a full charge?

A: When charging, all LED lights will be lit to show a full charge. Otherwise, press the charging indicator button to display the charge level.

Q: Is it waterproof?

A: No, although the SWITCH is durable, electricity and water don't mix well. Make sure the ports are dry before using the device.

Q: What type of battery technology is it?

A: Lithium-ion NMC. It has these advantages: stores more energy; smaller and lighter watt for watt; and retains its charge even after months of storage.

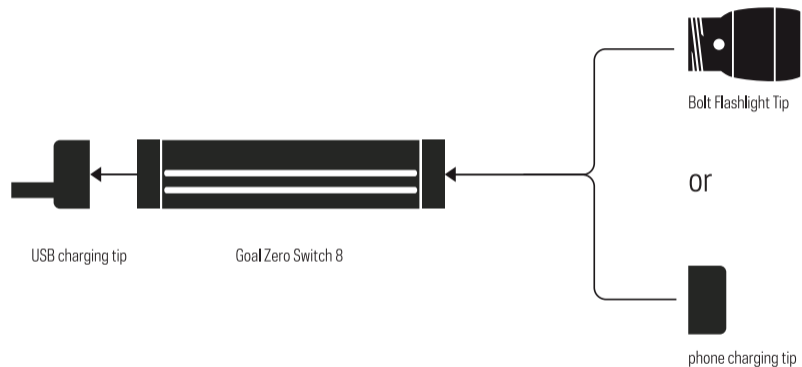
Q: Can I take the recharger on an airplane?

A: Yes, the SWITCH can be taken anywhere and is great for keeping devices charged on long flights.

Q: How do I get different attachments and tips for my SWITCH?

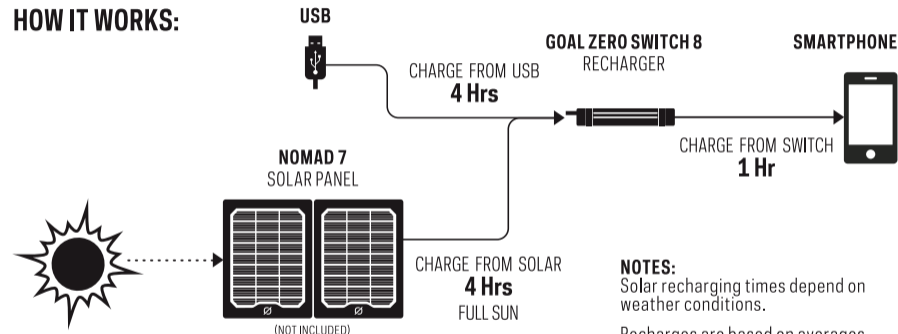
A: Visit your local retailer that carries GOAL ZERO products or visit www.goalzero.com for a complete offering of tips and other accessories.

Build your Goal Zero Switch in multiple ways



More tips coming soon!

HOW IT WORKS:



NOTES:
Solar recharging times depend on weather conditions.
Recharges are based on averages of most popular devices.