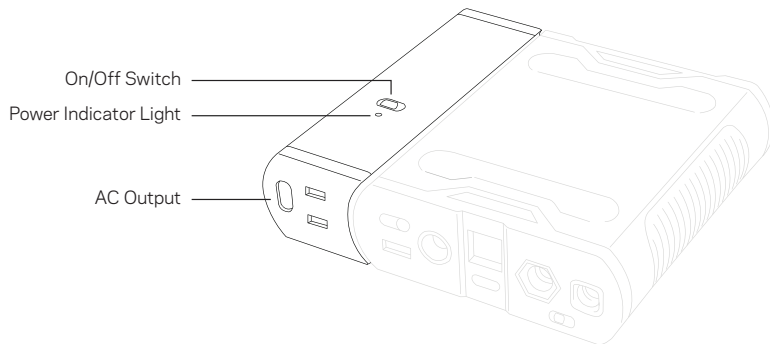


Technical Specifications	
<b>Usage:</b>	
Use with the following:	
GOALZERO Sherpa 50 v2	
GOALZERO Sherpa 100	
<b>Inputs</b>	
12V Port (9mm)	9-13V, 0-10A (100W max)
<b>Outputs</b>	
AC US Standard Outlet	110VAC (100W max)
Sherpa 50	65W
Sherpa 100	100W

General	
Weight	0.35 lbs (0.16 kg)
Dimensions	1 x 1.5 x 5.25 in (2.54 x 2.54 x 13.34 cm)
Warranty	12 months
Certifications	FCC, CE
Operating usage temp	32-104F (0-40C)



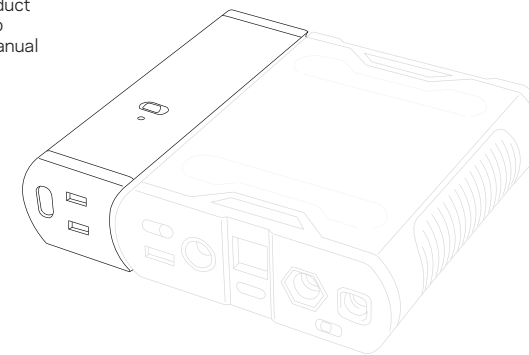
# SHERPA 50

## A C I N V E R T E R

User Guide



- Register your product
- Watch demo video
- Download user manual



Contact Us:  
Toll Free: 888-794-6250  
675 West 14600 South  
Bluffdale, UT 84065  
www.GOALZERO.com

We proudly support Tifie Humanitarian  
www.tifie.org

## Know Your Gear



### PLUG

To 12V car adapter  
or Sherpa Rechargers.

1

**POWER**  
Plug in any AC\* device.



2

\*Up to 100 Watts



### REPLENISH

To stay prepared  
keep recharger plugged into  
AC, 12V, or solar panel.

3

#### Frequently Asked Questions

Q: Is the Sherpa Inverter waterproof?  
A: No. Do not use the Sherpa Inverter if it is wet. If it gets wet, allow it to dry completely before using it.

Q: Can I use the Sherpa Inverter with chained Goal Zero Sherpa Rechargers?  
A: Yes, but make sure to attach Sherpa Inverter and chaining cord, and turn on all Sherpa Rechargers.

Q: Can I use the Sherpa Inverter as a stand-alone source of power?  
A: No. The Sherpa Inverter is specifically designed to enhance the capabilities of the Sherpa Recharger. It is NOT a battery, and cannot power items on its own.

Q: Do I have to have a Sherpa Recharger to use my inverter?  
A: The Sherpa Inverter can be used with the Sherpa Recharger as well as in your car with the 12V car adapter (included).