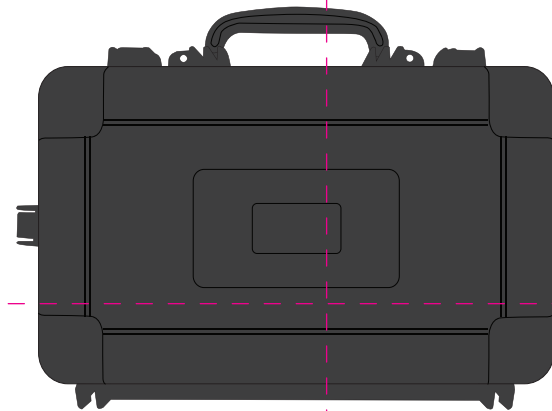


HARD CASE 29L
W A T E R P R O O F

Get to Know Your Gear



CLOSE IT

Padding on top and bottom ensures your gear is protected all the way around.

LOCK IT

Heavy duty latches on both sides secure your product.

PLUCK IT

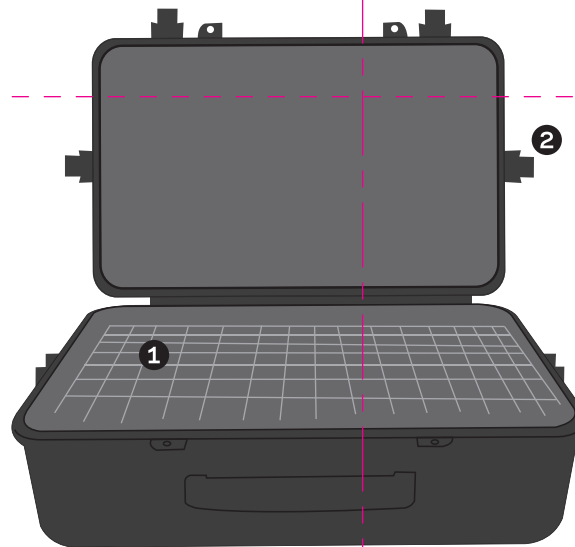
Foam grid allows for a customizable fit.

Getting Started

1. Be sure to ACTIVATE YOUR WARRANTY at www.GOALZERO.com/warranty
2. Position product how you would like it to fit in the case.
3. Cut out the foam along the corresponding lines to match where you would like to place product.
4. Insert product and close case.

How to Use Your Gear

- 1 **Foam**
You can customize the foam to fit your product however you want.
- 2 **Locks**
When the lid is down the latches fold in and secure it shut.



Technical Specs

General

Weight	9.8 lbs (4.4 kgs)
Dimensions	22x15x8 in (56x38x20 cm)
Warranty	12 months

Comes With

Pluckable foam insert

Die Cut Line: _____

Mountain Fold: - - - - -

Valley Fold: - - - - -

<p>Frequently Asked Questions</p> <p>What product can I use with the Hard Case 27L? It is recommended for use with GOAL ZERO SHERPA power packs and corresponding accessories; however it can also be used with any GOAL ZERO product that will fit inside.</p> <p>How deep under water can the Hard Case 29L be submerged? ???</p> <p>What does the L stand for? L is short for 'litre'. The HARD CASE is 29 litres.</p>			<p>GOAL ZERO </p> <p>USER GUIDE</p> <p>HARD CASE 29L WATERPROOF</p>
<p>Compatible With</p> <p>GOAL ZERO products: All GOAL ZERO products, recommended for use with SHERPA power packs and kits.</p>		<ul style="list-style-type: none"> ▪ Fill out your warranty ▪ Watch demo video ▪ Download this manual 	<p>CONTACT US:</p> <p>Toll Free: 888.794.6250 14864 Pony Express Road Bluffdale, UT, 84065</p> <p>WWW.GOALZERO.COM</p> <p>We proudly support Tifie Humanitarian WWW.TIFIE.ORG</p>

FRONT PANEL

BACK PANEL

Die Cut Line: _____

Mountain Fold: - - - - -

Valley Fold: - - - - -